

REMOTE CONTROL UNIT 8 INPUTS

AE/GI-CE380UR

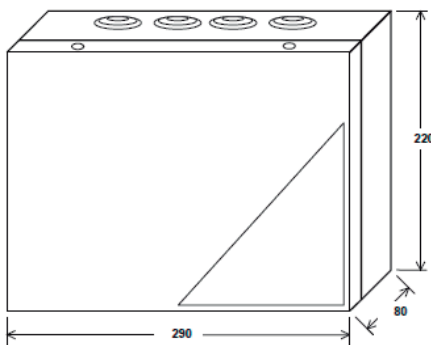
Description

Remote expansion unit 8 zones of 4-20mA detectors for the AE / GI-CE424PD and AE / GICE700 control panels via RS485 bus.

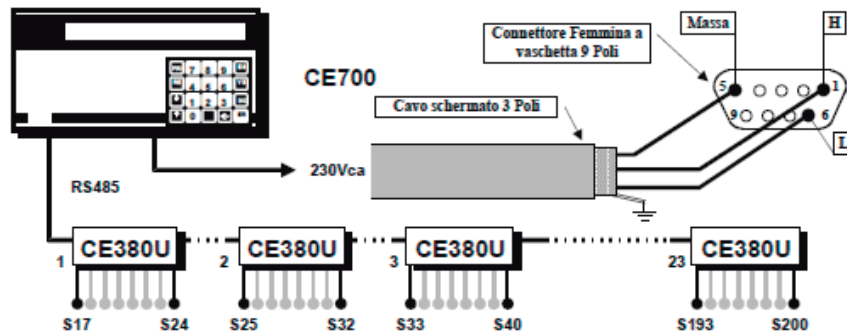
Allows the connection of two additional AE / GI-ES380UR output cards (4 outputs each).



Dimensions



Connection



TECHNICAL CHARACTERISTICS

Main power supply:	230 Vac (-15 / + 10%) - 50 Hz (± 10%)
Minimum power absorbed:	230V 2VA without connected detectors
Maximum absorbed power:	230V 10VA with 4 detectors type TS293P (* Maximum power absorbed: 230V 16VA with 8 detectors type TS293P)
Data transmission:	RS485 serial (max distance 1km)
Inputs:	4 analog inputs 4 ÷ 20 mA Linear
Inputs internal load resistance:	200 ohms
Input power (detectors):	20 Vdc (-10 / + 15%)
Protection of each input:	against short circuit and / or cable interruption and input current limiter (S)
Battery operating temperature:	+5 ÷ +40 ° C
Backup battery:	12 Vdc - 3 Ah
Battery size:	134 x 67 x 62mm
Battery life:	Approximately 3 hours with 4 detectors (TS293P type) (* about 2 hours at full load (8 type TS293P detectors)
Dimensions (L x W x P):	285 x 230 x 130 mm
Weight:	3 kg